



MFX Classic Installation & Finish Care Instructions

Thank you for purchasing the most unique faucet available for the motorcycle enthusiast! Our patent-protected design offers you the finest in quality and craftsmanship. To ensure that your installation proceeds smoothly, please read the important note below and all of the instructions before beginning.

PRODUCT FEATURES:

- Fully assembled and designed for quick installation in sinks with 4" on-center holes [*Note: A plumbers advice or help may be required for sinks with a different on center configuration*]
- Durable Cast Brass Construction for long life and easy cleaning
- Ceramic Disc Valve Cartridges assure smooth handle operation and drip-free performance
- Triple plated chrome and PVD brass protective finish
- Pop-up metal drain assembly with lift rod and tailpiece
- 3.8 GPM (gallons per minute)







BEFORE YOU BEGIN

- Read all instructions
- Read important note below
- Shut off the main water supply
- Gather tools and materials needed for installation
- Your faucet has been treated at the factory with a fine layer of protective coating. This coating serves to protect the finish during shipment and may create a dullness in the chrome. Simply wipe with a soft cloth to remove this film and for a brilliant shine.

IMPORTANT NOTE:

The MFX Classic faucet's solid brass construction results in a weight of 13 pounds. MFX, Inc. recommends caution when handling and installing this faucet to prevent injury to your sink, countertop, individuals, etc. We suggest that you line your sink, countertop and work area with towels or other thick protective material to prevent accidental damage from occurring. Assistance of a second individual through Step #1 is highly recommended.

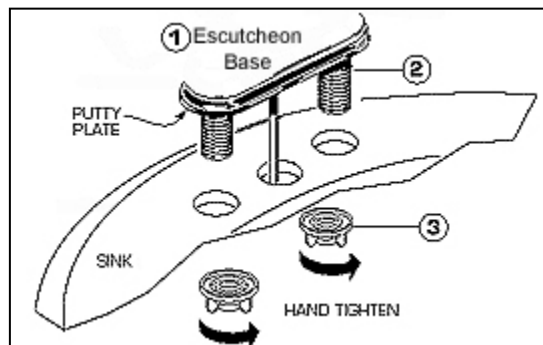
TOOLS AND MATERIALS NEEDED

	Adjustable Wrench
	2.5mm Hex Wrench
	Assorted Screwdrivers
	Plumbers Putty & Thread Sealant Tape
	Pliers
	Pipe Sealant

INSTALLATION INSTRUCTIONS

STEP 1 Install Faucet

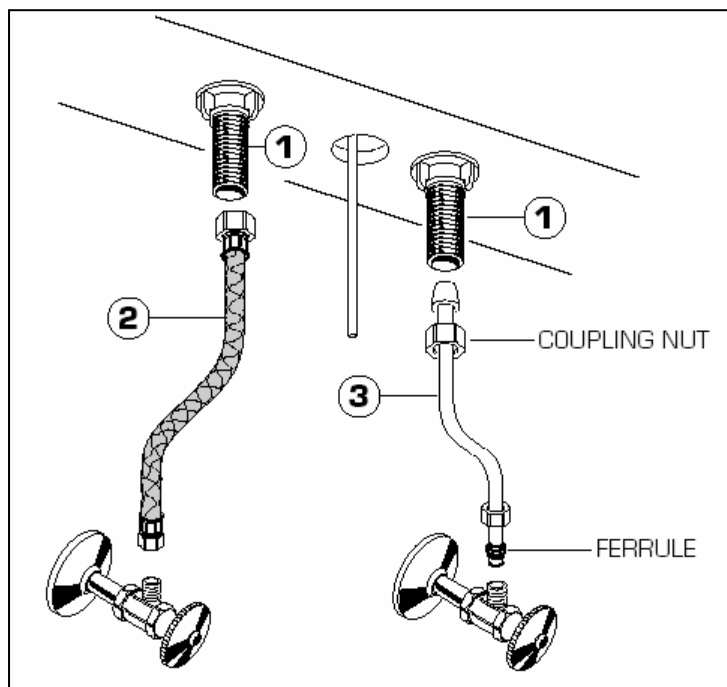
- Turn off hot and cold water supplies
- If present, remove the old faucet and clean off dirt and old calk/putty from the sink
- Apply a thin bead of putty along the edge of the underside of the black PUTTY PLATE provided
- Insert FAUCET SHANKS [2] through holes in the SINK
- Have one person hold the faucet in place while the second person secures the FAUCET with ATTACHMENT NUTS [3] Hand tighten and then carefully tighten with pliers [Do not over tighten]
- Insert LIFT ROD down through the rod hole in the top of the faucet, through the ESCUTCHEON BASE [1], Putty Plate and Sink



STEP 2 Secure Faucet & Connect Water Supplies

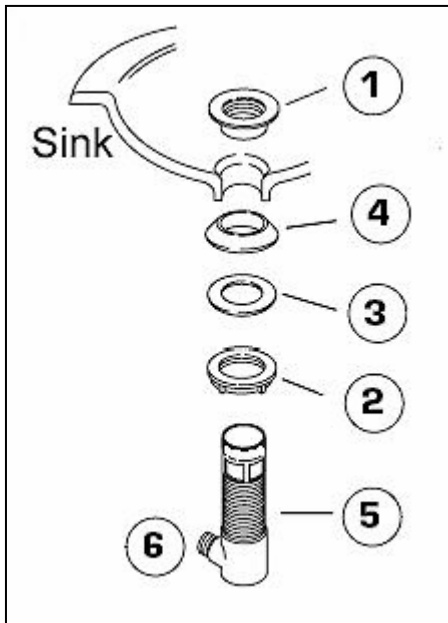
NOTE: flexible supplies or bull-nose risers must be purchased separately.

- Connect water supply to FAUCET with
 - 1/2" IPS FLEXIBLE SUPPLIES [3/8" comp to valve outlet] [2]
 - or**
 - 3/8" OD BULL-NOSE RISERS [3] Use tubing cutter or hack-saw to cut to proper length. (Coupling Nut Provided)
- Use adjustable wrench to tighten connections. Do not over-tighten or kink copper supply when tightening.



STEP 3a Install Pop-Up DRAIN

NOTE: If you are installing this faucet as a replacement unit, you do not have to install the pop-up drain assembly that came with your MFX Classic.



- Place Black Rubber Washer onto FLANGE [1]
- Apply a thin bead of PUTTY along the edge of the underside of Black Rubber Washer
- Insert Black Washer with putty side down and FLANGE [1] into the sink drain
- From below, check order of items provided and assemble on TAILPIECE [5] if necessary as follows and as seen in the image to the left: RUBBER GASKET [4], WHITE PLASTIC WASHER [3] and LOCK NUT [2]
- Insert TAILPIECE [5] into FLANGE [1]
- Turn ROD OPENING [6] in TAILPIECE [5] so that it faces the rear of the sink
- Keeping ROD OPENING [6] facing the rear of the sink, tighten LOCK NUT [2] up against sink to secure TAIL PIECE to FLANGE. Do not over-tighten

STEP 3b Install Pop-Up DRAIN LIFT

- Insert the STOPPER [5] into the Flange from the top of the sink so that the hooked STOPPER ROD HOLE [6] faces the rear of the sink

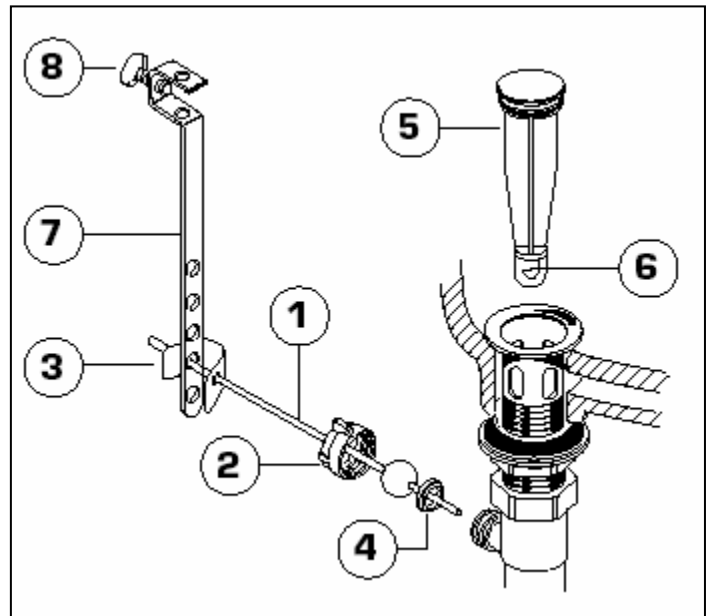
Assemble PIVOT ROD [1], PIVOT NUT [2], CLIP [3] and SEALS [4] as shown in the image to the right.

NOTE: Two SEALS [4] are provided. During ROD ASSEMBLY, place one seal on each side of the Pivot Ball

- Make certain to insert PIVOT ROD [1] into hole 2 or three of the EXTENSION ROD [7]. This may need further adjusting later.

NOTE: Extension Bar [7] may need to be flexed for this to be accommodated. The correct insertion hole in the EXTENSION BAR [7] will vary depending on your specific application

- Insert the ROD ASSEMBLY into the PIVOT ROD OPENING [6 from drawing above] **through** the STOPPER ROD HOLE [6]
- Hand tighten PIVOT NUT [2]
- Run Lift Rod inserted in top of faucet in Step 1, through the horizontal holes near THUMBSCREW [8]
- Adjust STOPPER [5] height by repositioning EXTENSION ROD [7] and Lift Rod by tightening THUMBSCREW [8]

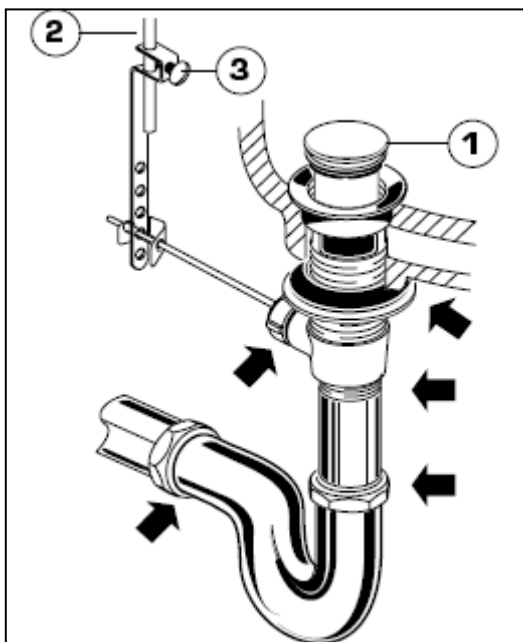


STEP 4 Test Installed Fittings & Connections

Small debris may have been generated during installation while working on the water supply lines. It is therefore recommended to purge these lines before regular use. To test connections and purge the line,

- Remove AERATOR from the faucet spigot
- With handles in the off position (back), slowly turn on the water supplies under the sink and check connections for leaks
- Turn each, and then both, handlebar tap(s) to their full ON position to flush the water lines
- Replace the AERATOR

STEP 5 Test Drain Connections



- Pull the POP-UP ROD [2] lever to close the DRAIN STOPPER [1] and fill the sink with water
- Check that the DRAIN STOPPER [1] makes a good seal and retains water in the sink
- If necessary, adjust stopper height by repositioning POP-UP ROD [2] and tightening the THUMBSCREW [3].
- Push down / release the DRAIN STOPPER [1] and check all drain connections and "P" trap for leaks
- Tighten further if necessary. do not over-tighten

STEP 6 Care Instructions

The finish on your MFX Classic faucet is easy to clean – simply rinse with water and dry with a soft cotton flannel cloth. DO NOT clean this faucet with soaps, acids, polish, abrasives, harsh cleaners or a cloth with a coarse surface. Doing so may ruin your faucet finish and will void the warranty agreement. See *Warranty at our website www.cyclefaucets.com*

STEP 7 Service

- AERATOR may periodically accumulate dirt causing distorted and reduced water flow. When this occurs, remove the AERATOR, rinse clean and replace.
- You may wish to adjust the On/Off position of your Handlebars. To do this, Use a 2.5mm Hex Wrench to loosen the connection of the Handlebar to the Ceramic Valve. Carefully lift, reset and tighten hex nut. **IMPORTANT TO NOTE: DO NOT over-tighten handle as this could loosen the valve causing damage and invalidate your warranty.**
- A copy of the warranty can be viewed at our website: www.cyclefaucets.com